

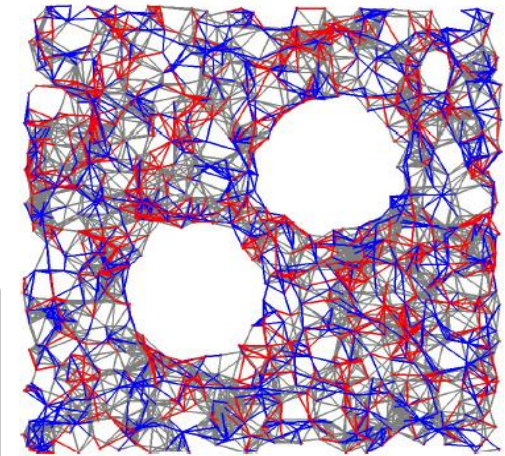
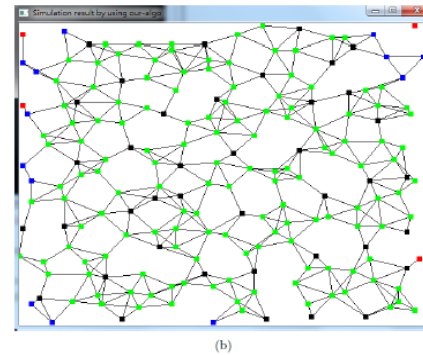
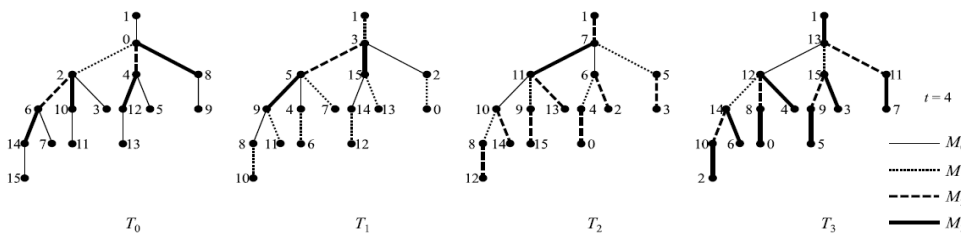
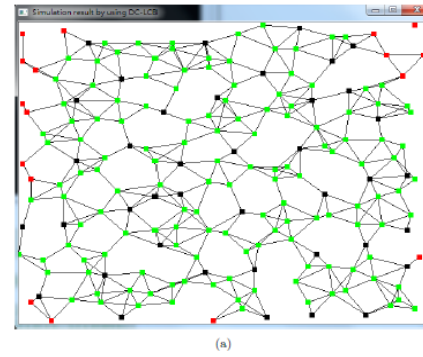
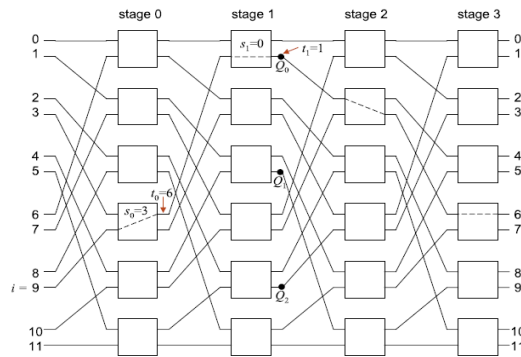
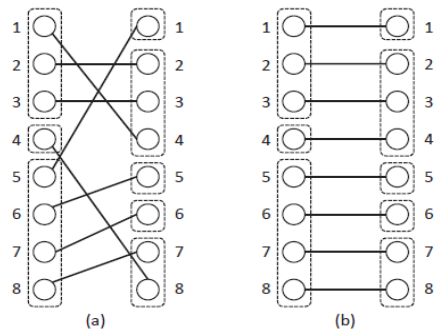


Prof. Chiu-Yuan Chen / Department of Applied Mathematics

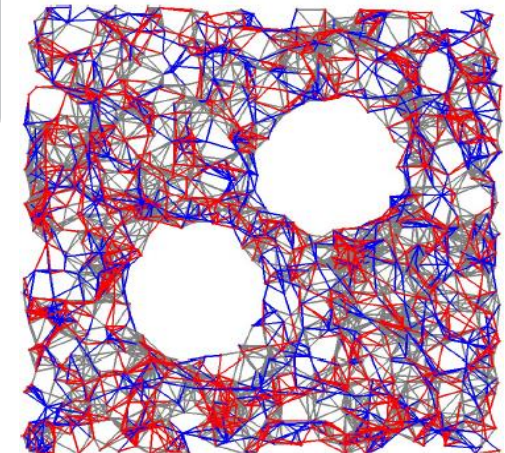
Graph Theory, Computer Algorithms, Interconnection Networks and Wireless Networks

Recent Research Projects

- The application of graph theory to the localization and routing problems in wireless sensor networks
- Distance-two coloring for the adjacency graphs of wireless sensor networks
- The applications of graph theory to wireless sensor networks (data aggregation and localization)



(a) The planarization constructed by ZJC-algorithm.



(b) The planarization constructed by our algorithm.

圖片出處：曾指導之學生論文或合寫之論文